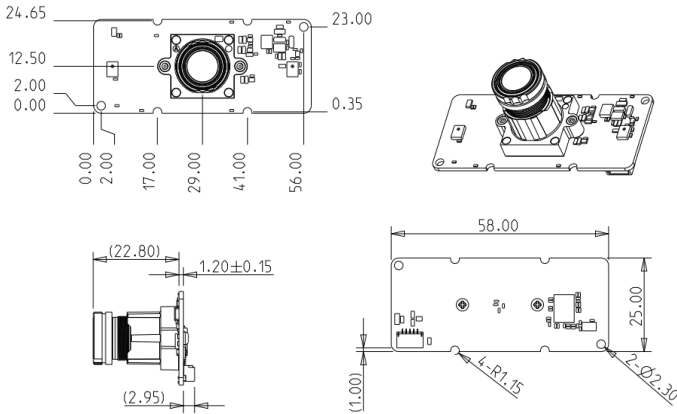


Features

- 1920x1080@30fps
- Lens D/H/V FOV:86°/72°/38°
- HDR
- OS Support: Windows, Linux, Android, MacOS (UVC)
- Compliant to USB2.0 and USB Video Class
- Complies with CE/FCC Class A

Mechanical Drawing

Mechanical Drawing



Lens Specification

Items	Specification
F No.	2.2 ± 10%
Focal Length	3.2 ± 5%
Optical Back Focal Length	5.11 ± 0.1mm (in air)
Mechanical Back Focal Length	4.7 ± 0.2mm (in air)
TTL	22.28 ± 0.2mm (in air)
Image Circle	Φ5 (MAX)
Lens Structure	1G3P
Mount	M12*P0.5
DFOV	86°

Headquarters (Taiwan)

5F., No. 237, Sec. 1, Datong Rd.,
Xizhi Dist., New Taipei City 221,
Taiwan
Tel: +886-2-7703-3000
Email: sales@innodisk.com

Branch Offices:

USA

usasales@innodisk.com
+1-510-770-9421

Europe

eusales@innodisk.com
+31-40-3045-400

Japan

jpsales@innodisk.com
+81-3-6667-0161

China

sales_cn@innodisk.com
+86-755-2167-3689

www.innodisk.com

© 2019 Innodisk Corporation.
All right reserved. Specifications
are subject to change without
prior notice.

February 15, 2024

Specifications

Resolution	1920x1080 @ 30fps
Output I/F	USB2.0
Power consumption	Approximate 1W
Dimension (WxLxH)	58 x 25 x 22 mm
Operating Temp.	-20°C ~ +70°C
Sensor Size	1/4"
Pixel Size	2 um
Lens type	Fixed focus (M12)
Lens D/H/V FOV	86°/72°/38°
OS Support	Windows, Linux, Android, MacOS

Order information

EV2U-RMR2-MMC1-C1

USB2.0 Fixed Focus Camera Module

EV2U-RMR2-MMC1-C2

USB2.0 Fixed Focus Camera Module, with DMIC

7W2000000160

USB2.0 cable 1 meter, 5 pins, pitch 1mm

Cable appearance



www.innodisk.com