

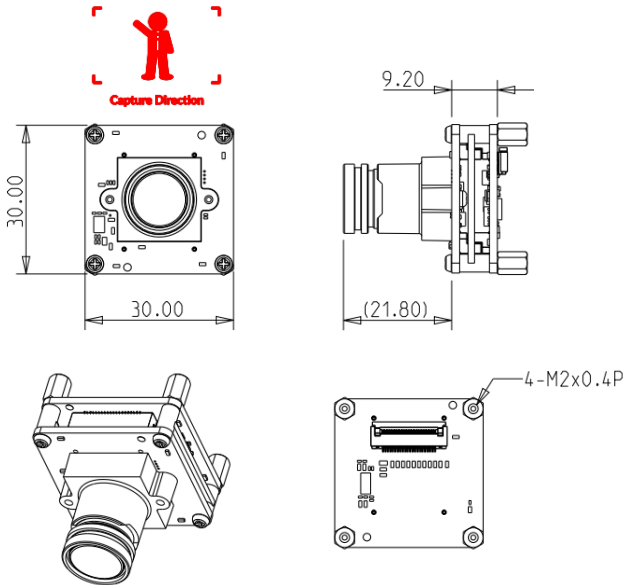
Features

- Max. Resolution: 4192 x 3120 (13MP)
- Lens D/H/V FOV:91°/71°/52°
- Complies with CE/FCC Class A
- Feature: ISP inside, pixel binning
auto exposure, auto white balance, HDR

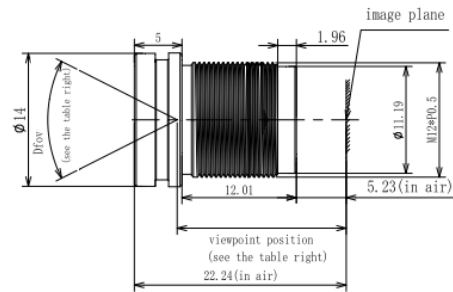
| Resolution | FPS (MIPI 4 lanes) |
|----------------------|--------------------|
| 4192 x 3120 (13MP) | 19 |
| 3840 x 2160 (4K/8MP) | 30 |
| 1920 x 1080 (FHD) | 60 |

Mechanical Drawing

Mechanical Drawing



Lens Specification



| Items | Specification |
|----------------|---------------|
| F no. | 2 |
| Focal length | 4mm |
| Lens structure | 1G4P |
| Mount | M12*P0.5 |

Headquarters (Taiwan)

5F., No. 237, Sec. 1, Datong Rd.,
Xizhi Dist., New Taipei City 221,
Taiwan
Tel: +886-2-7703-3000
Email: sales@innodisk.com

Branch Offices:

USA
usasales@innodisk.com
+1-510-770-9421

Europe
esusales@innodisk.com
+31-40-3045-400

Japan
jpsales@innodisk.com
+81-3-6667-0161

China
sales_cn@innodisk.com
+86-755-2167-3689

www.innodisk.com

© 2019 Innodisk Corporation.
All right reserved. Specifications
are subject to change without
prior notice.

February 17, 2024

Specifications

| | |
|-------------------|---|
| Max. Resolution | 4192 x 3120 (13MP) |
| Output I/F | MIPI 22pins (4 lanes) |
| Power Consumption | Approximate 1W |
| Dimension (LxWxH) | 30 x 30 x 45mm |
| Operating Temp. | -30°C ~ +70°C (main chip spec.) |
| CMOS Sensor | ONSEMI AR1335 |
| Sensor Size | 1/3.2" |
| Pixel Size | 1.1um |
| Lens type | Fixed focus (M12) |
| Lens D/H/V FOV | 91°/71°/52° |
| Platform Support | Nvidia Jetson Xavier NX/Nano, Xilinx FPGA |

| 22 Pin # | 22 Pin Name | Usage/Description |
|----------|-------------|---------------------|
| 1 | GND | Ground |
| 2 | CAM_D0_N | CSI Data 0 |
| 3 | CAM_D0_P | CSI Data 0 |
| 4 | GND | Ground |
| 5 | CAM_D1_N | CSI Data 1 |
| 6 | CAM_D1_P | CSI Data 1 |
| 7 | GND | Ground |
| 8 | CAM_CLK_N | CSI Clock |
| 9 | CAM_CLK_P | CSI Clock |
| 10 | GND | Ground |
| 11 | CAM_D2_N | CSI Data 2 |
| 12 | CAM_D2_P | CSI Data 2 |
| 13 | GND | Ground |
| 14 | CAM_D3_N | CSI Data 3 |
| 15 | CAM_D3_P | CSI Data 3 |
| 16 | GND | Ground |
| 17 | CAM_PWDN | Camera Power-down |
| 18 | CAM_MCLK | Camera Master Clock |
| 19 | GND | Ground |
| 20 | CAM_SCL | I2C Clock (3.3V) |
| 21 | CAM_SDA | I2C Data (3.3V) |
| 22 | CAM_V3V | +3.3V |

Order information

EVDM-OOM1-MMC1-C1
MIPI Fixed Focus Camera Module



Cable appearance

www.innodisk.com